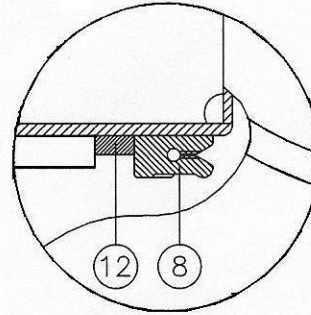
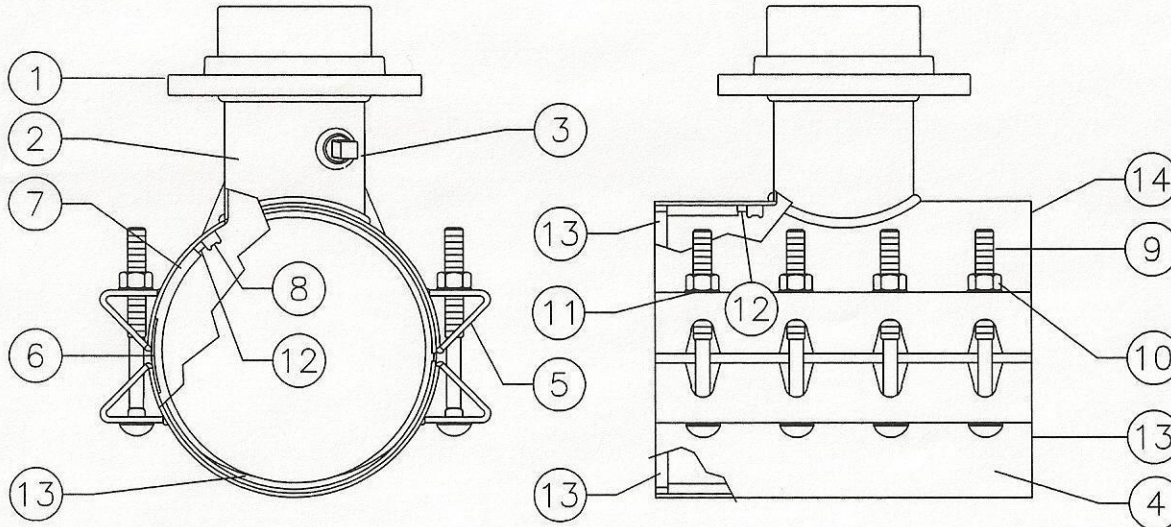


Reference: **3490MJ Stainless Steel Tapping Sleeve**



DETAIL N



ASSEMBLY BILL OF MATERIALS				
ITEM	QTY	PART NAME	MATERIAL	MAT. SPEC.
1	1	MJ. FITTING	Stainless Steel	AWWA C115
2	1	Branch	Stainless Steel	ASTM A240
3	1	Test Plug	Stainless Steel	ANSI B2.1
4	2	Shell	Stainless Steel	ASTM A240
5	4	Bolt Lug	Stainless Steel	ASTM A240
6	2	Armor Plate	Stainless Steel	ASTM A240
7	1	Shell Gasket	Nitrile	ASTM D2240
8	1	Branch Gasket	Nitrile	ASTM D2240
9	*	Bolt	Stainless Steel	ASTM A193
10	*	Coated Nut	Stainless Steel	ASTM A194
11	*	Washer	Stainless Steel	ANSI B18.22.1
12	1	Branch Ring	Stainless Steel	ASTM A240
13	2	End Rings	Stainless Steel	ASTM A240

NOTE: The Shell Gasket is our patented Chek-O-Seal design, and the Branch Gasket is our patented TwinSeal design.

WORKING PRESSURES
 2"-10" Outlet: 200 PSI
 12"-18" Outlet: 150 PSI
 20"-24" Outlet: 100 PSI
 Test Pressure is 1-1/2 times working pressure.
 Pipe pressure larger than 30" 100psi

PowerSeal P.O. Box 2014
 Wichita Falls, Texas

TITLE
3490MJ Tapping Sleeve

SIZE B	DRAFTSMAN REB	DATE 07-16-02	APPROVAL	DATE	DRAWING NO.	REV
SCALE NTS	SUPERSEDES		N/A	SHEET 1 OF 1		

NOTE: FOR USE WITH STANDARD MJ VALVE



ATLANTIC CITY
 MUNICIPAL UTILITIES AUTHORITY
 401 NORTH VIRGINIA AVENUE
 PO BOX 117
 ATLANTIC CITY, NJ 08404-0117

**STAINLESS STEEL
 TAPPING SLEEVE**

DESIGN GUIDE

APPROVED BY:
MIKE MEGELLA
 2009