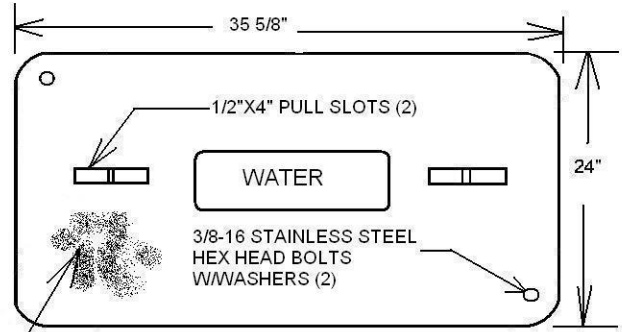
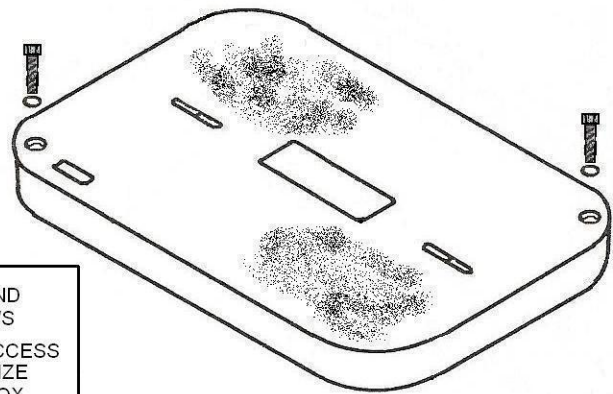
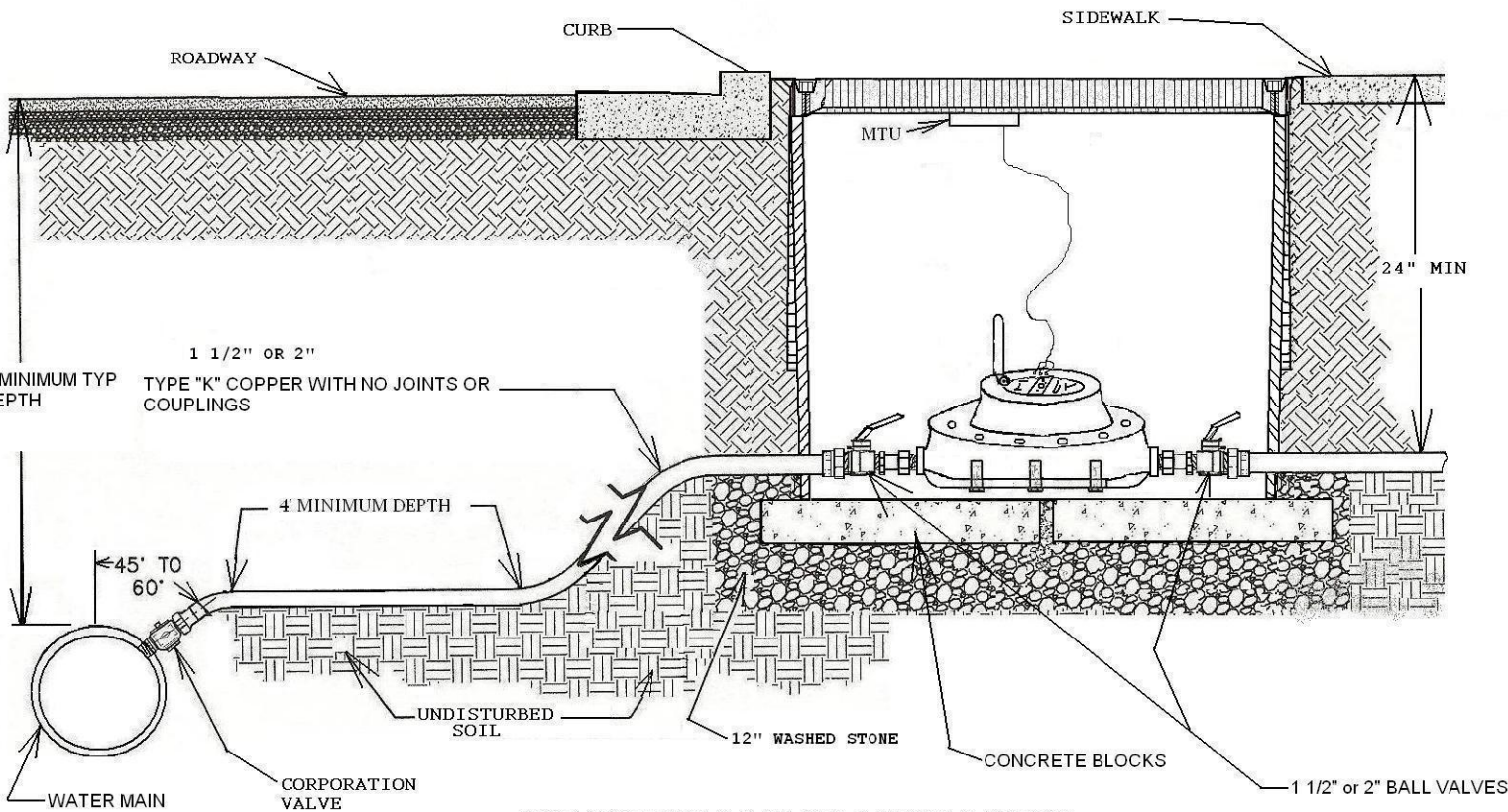
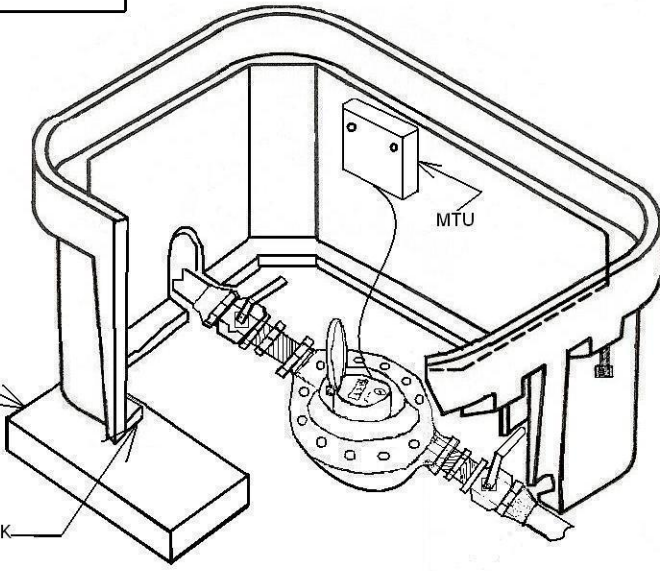


LID TOP AND SIDE VIEWS  
STANDARD ACCESS  
MEDIUM SIZE  
METER BOX



SKID RESISTANT SURFACE

SET METER BOX ON ROW OF  
4" X 8" X 16" SOLID CONCRETE  
BLOCK



NOTE: WATER METER SHALL NOT BE LOCATED IN AREAS  
SUBJECT TO VEHICULAR TRAFFIC